

1 2 3 4 5 6

A

A

B

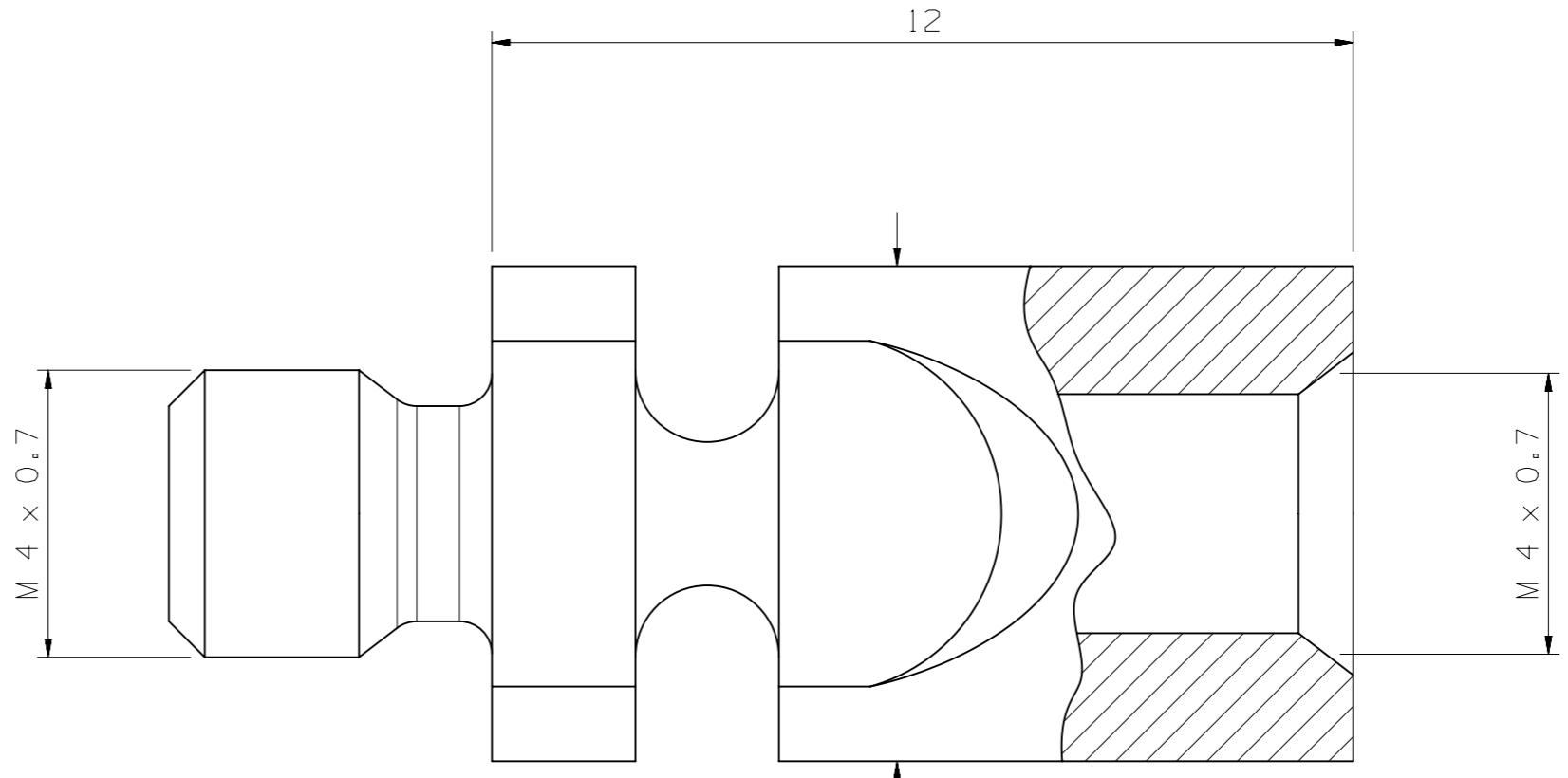
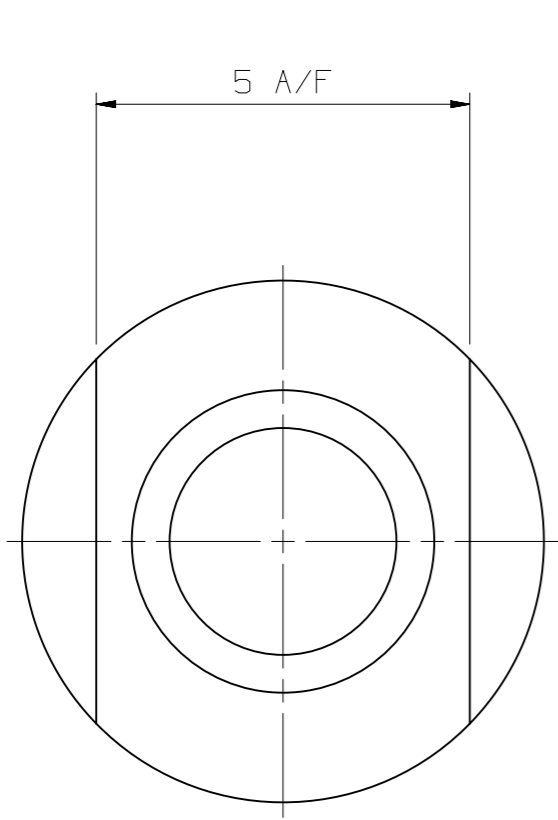
B

C

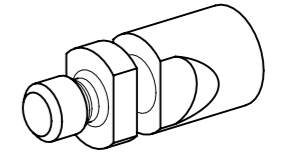
C

D

D



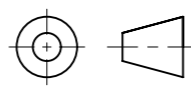
Ø 6,9
SILVER STEEL



SCALE 2:1

TO ORDER PLEASE QUOTE PART NUMBER A-5004-7621

THIS IS A CUSTOMER DRAWING. DIMENSIONS ARE GENERALLY NOMINAL EXCEPT WHERE TOLERANCED.
TOLERANCED DIMENSIONS ARE CONSIDERED CRITICAL AND ARE INSPECTED BY OUR QUALITY DEPARTMENT PRIOR TO DESPATCH.
ALL DIMENSIONS ARE IN MILLIMETRES.
DRAWING PRACTICE TO BS 8888.

3rd ANGLE PROJECTION

 DO NOT SCALE

TITLE	M4 BREAKSTEM L12 D6.9SLVS	
MATERIAL TYPE CODE	_____	
MATERIAL	_____	

ISSUE No.	DRAWN BY	DRAWN DATE
*	JT	DEC 16
SHEET	CHECKED	
1 OF 1	JT	

CONFIDENTIAL. THIS DRAWING IS THE PROPERTY OF © RENISHAW plc, AND MAY NOT BE COPIED OR USED FOR ANY PURPOSE, OTHER THAN THAT FOR WHICH IT IS SUPPLIED, WITHOUT THE EXPRESS WRITTEN AUTHORITY OF RENISHAW plc.

RENISHAW®

Wotton - under - Edge
Glos. England.
GL12 8JR

SCALE
U.O.S.
10:1

DRAWING No.
N-5004-7621-01-A