

MRS2 modular rack system



© 2015 - 2020 Renishaw plc. All rights reserved.

This document may not be copied or reproduced in whole or in part, or transferred to any other media or language, by any means, without the prior written permission of Renishaw.

The publication of material within this document does not imply freedom from the patent rights of Renishaw plc.

Disclaimer

RENISHAW HAS MADE CONSIDERABLE EFFORTS TO ENSURE THE CONTENT OF THIS DOCUMENT IS CORRECT AT THE DATE OF PUBLICATION BUT MAKES NO WARRANTIES OR REPRESENTATIONS REGARDING THE CONTENT. RENISHAW EXCLUDES LIABILITY, HOWSOEVER ARISING, FOR ANY INACCURACIES IN THIS DOCUMENT.

Trademarks

RENISHAW, the probe symbol used in the RENISHAW logo and **REVO** are registered trademarks of Renishaw plc in the United Kingdom and other countries. **apply innovation** and names and designations of other Renishaw products and technologies are trademarks of Renishaw plc or its subsidiaries.

All brand names and product names used in this document are trade names, service marks, trademarks, or registered trademarks of their respective owners.

All trademarks and trade names are acknowledged.

Packaging

To aid end user recycling and disposal the materials used in the different components of the packaging are stated here:

Packaging component	Material	94/62/EC code	94/62/EC number
Outer box	Corrugated fibreboard	PAP	20
Packaging insert	Corrugated fibreboard	PAP	20
Bag	Low density Polyethylene	LDPE	4

Renishaw part no: H-1000-5255-03-A

Issued: 01.2020

MRS2 assembly instructions

Single tier



Double tier



Triple tier



Double tier with cantilever

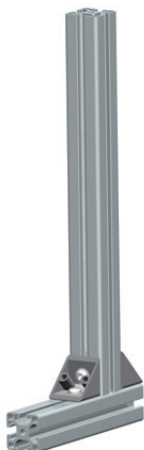


200 mm

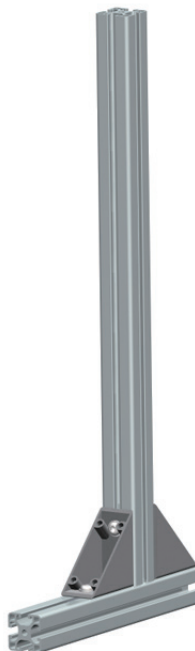
A-6007-1020

**400 mm**

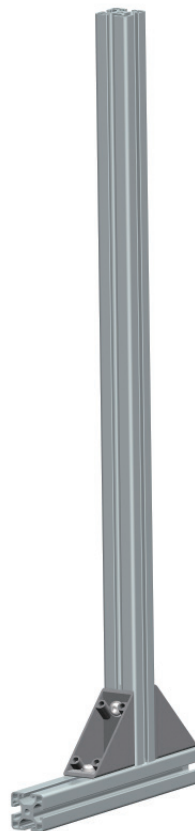
A-6007-1040

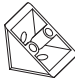











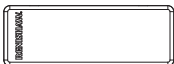
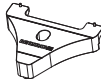
**600 mm**

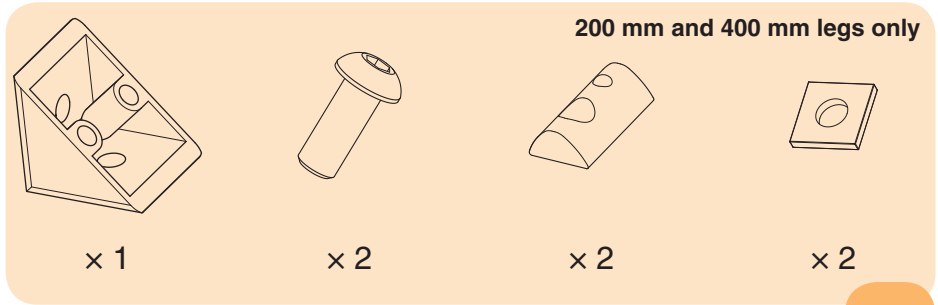
A-6007-1060

**800 mm**

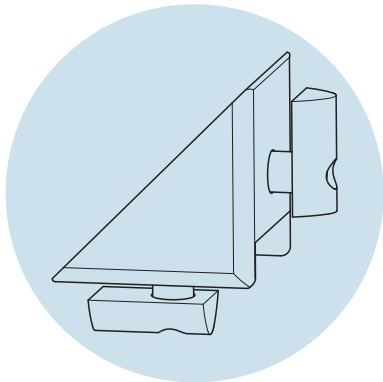
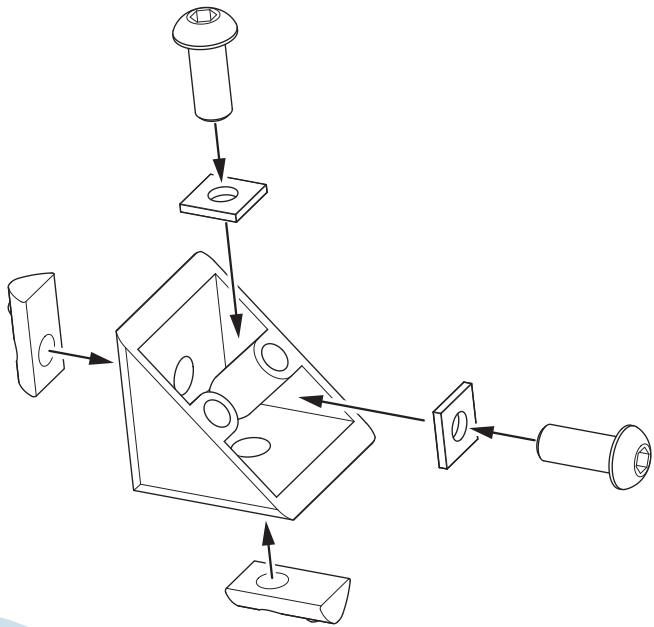
A-6007-1080

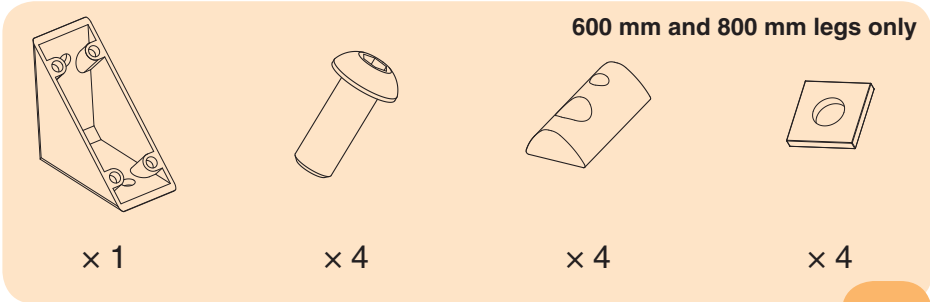


	200 mm A-6007-1020	400 mm A-6007-1040	600 mm A-6007-1060	800 mm A-6007-1080
	4	4	-	-
	-	-	4	4
	8	8	16	16
	8	8	16	16
	8	8	16	16
 200 mm	4	2	-	-
 300 mm	-	-	2	2
 400 mm	-	2	-	-
 600 mm	-	-	2	-
 800 mm	-	-	-	2
	6	6	6	6
	4	4	-	-
	-	-	4	4
	2	2	2	2

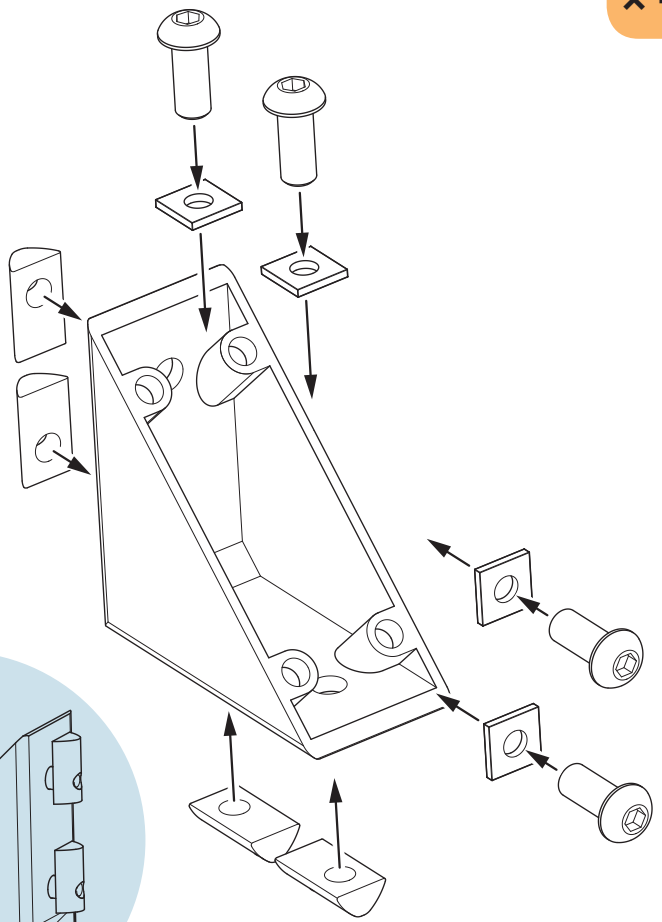
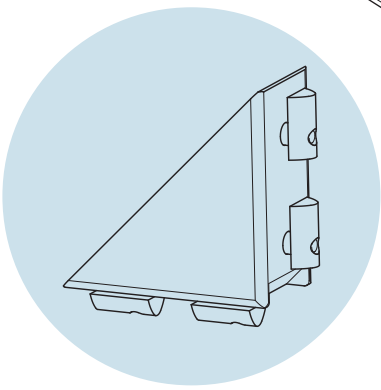


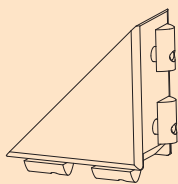
x 4



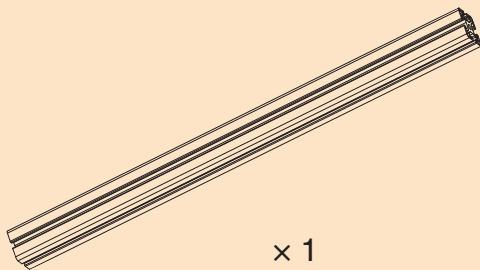


× 4



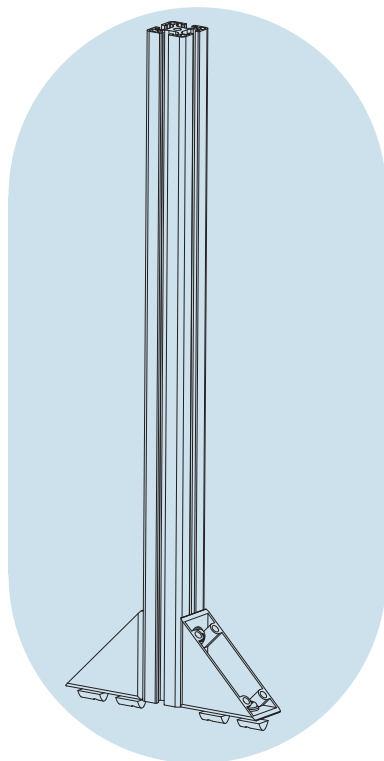
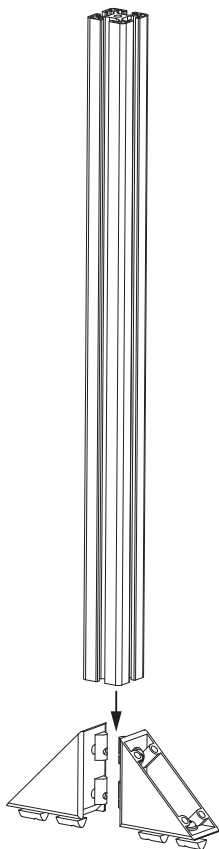


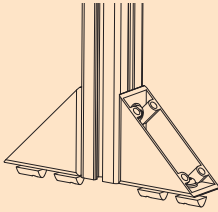
× 2



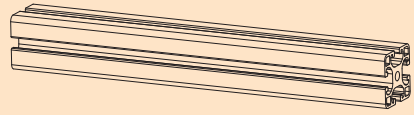
× 1

× 2



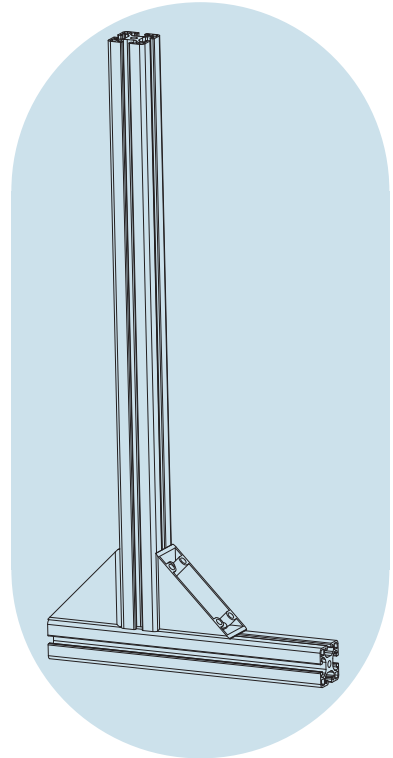
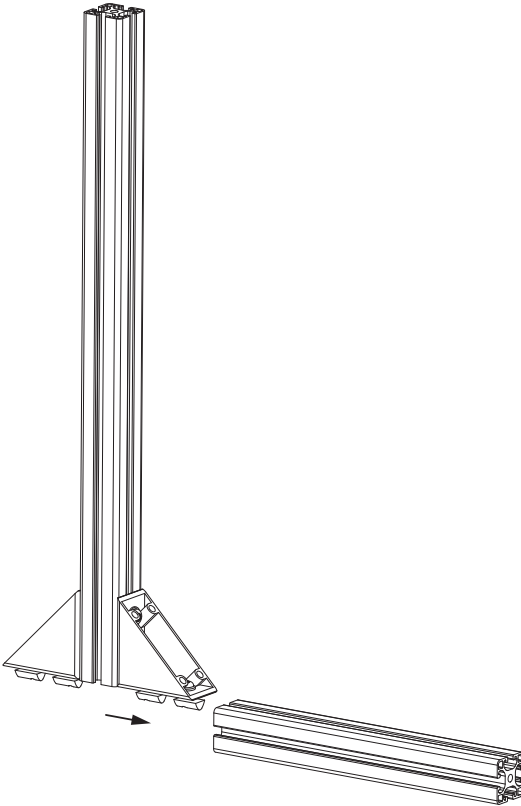


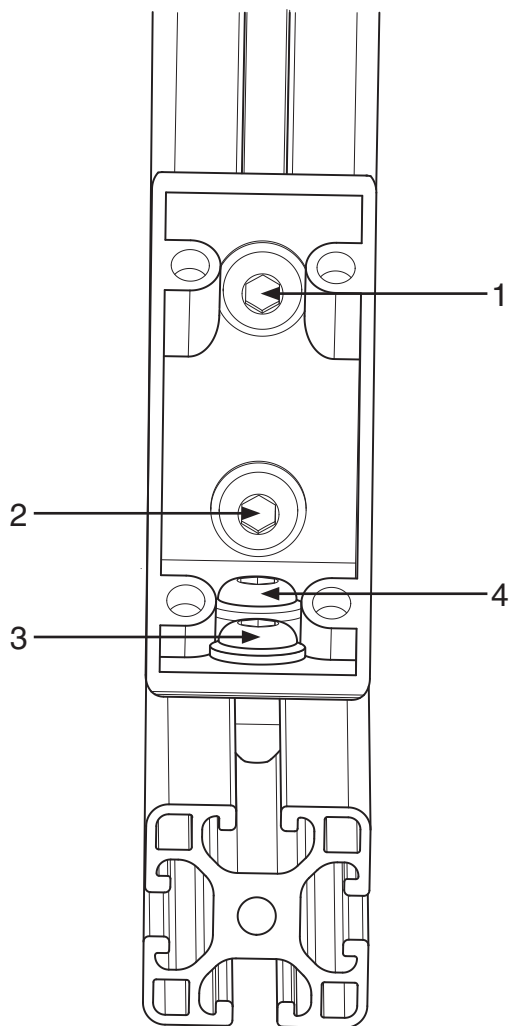
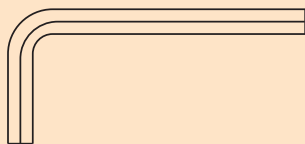
× 1

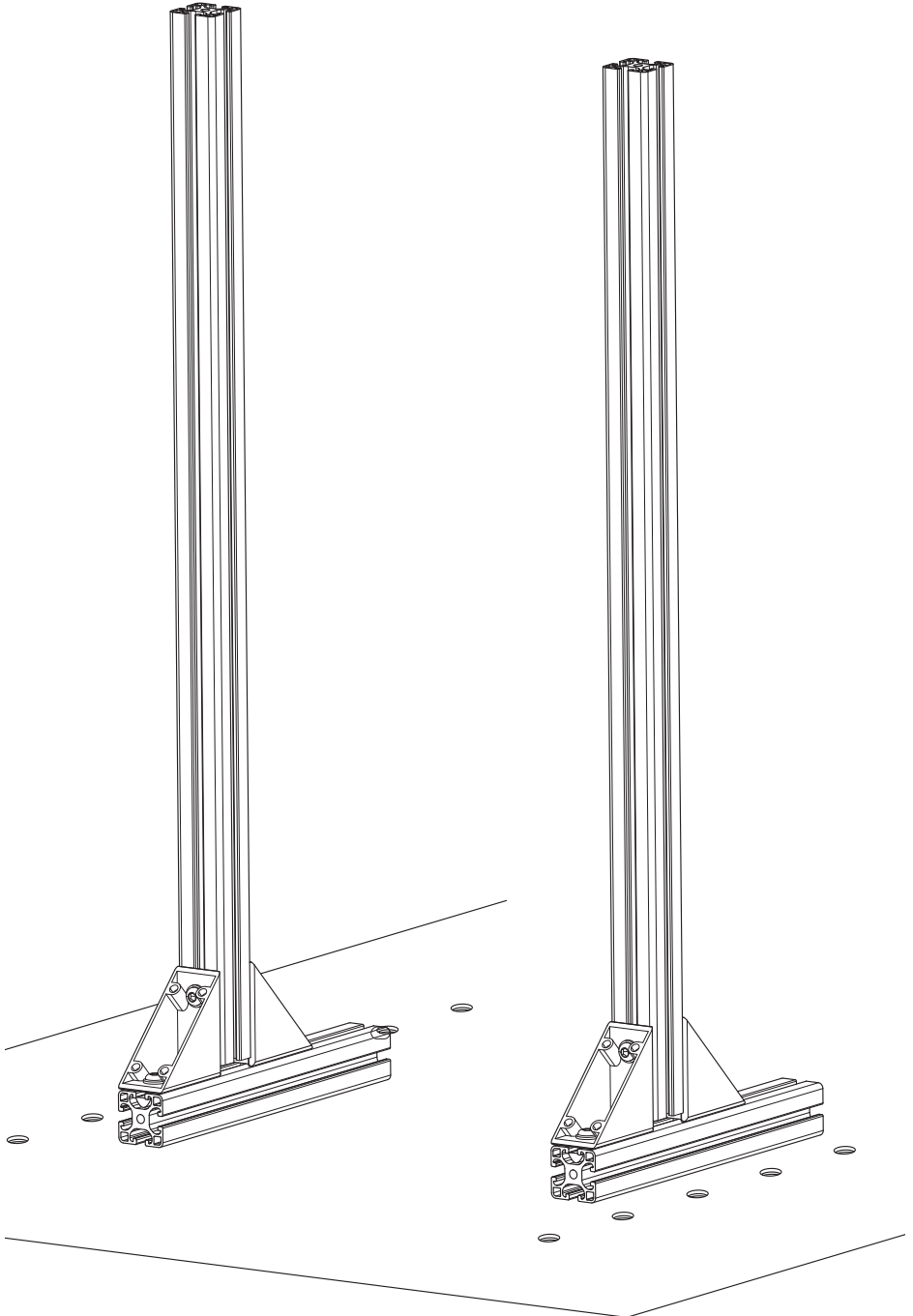


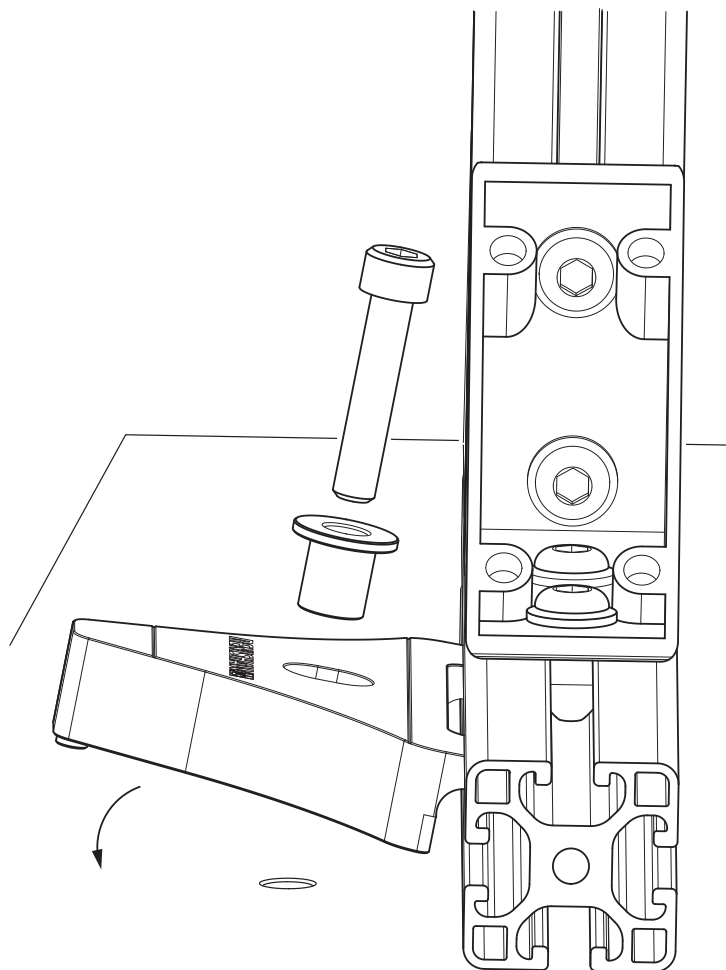
× 1

× 2



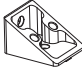





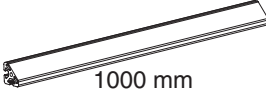

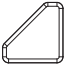
**× 4**

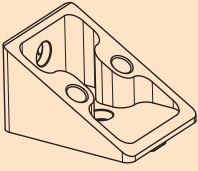




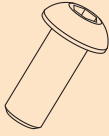
This page intentionally left blank



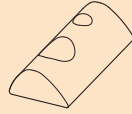
	400 mm A-6007-2040	600 mm A-6007-2060	1000 mm A-6007-2100
	2	2	2
	4	4	4
	4	4	4
	4	4	4
 400 mm	1	-	-
 600 mm	-	1	-
 1000 mm	-	-	1
	2	2	2
	2	2	2



× 1



× 2

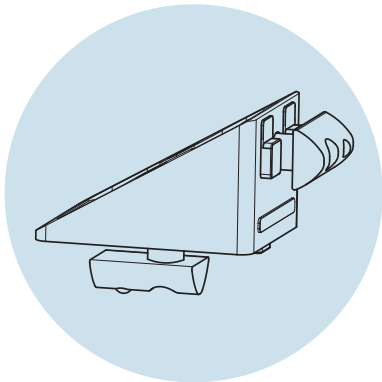
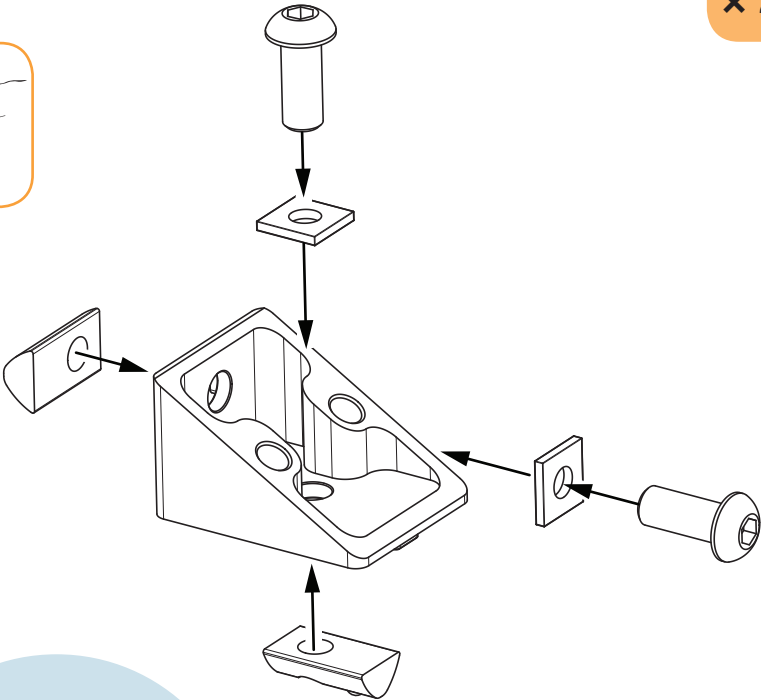


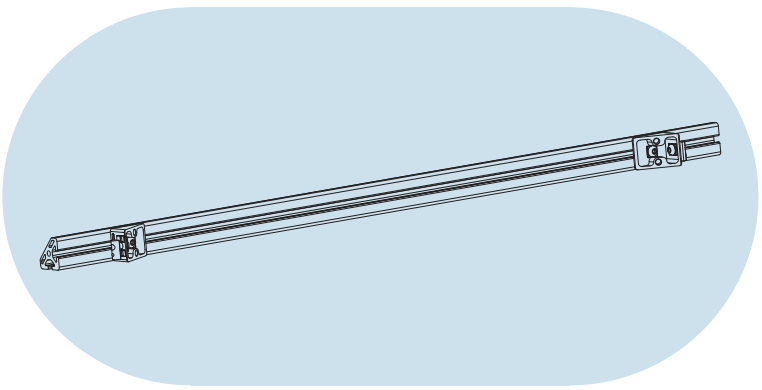
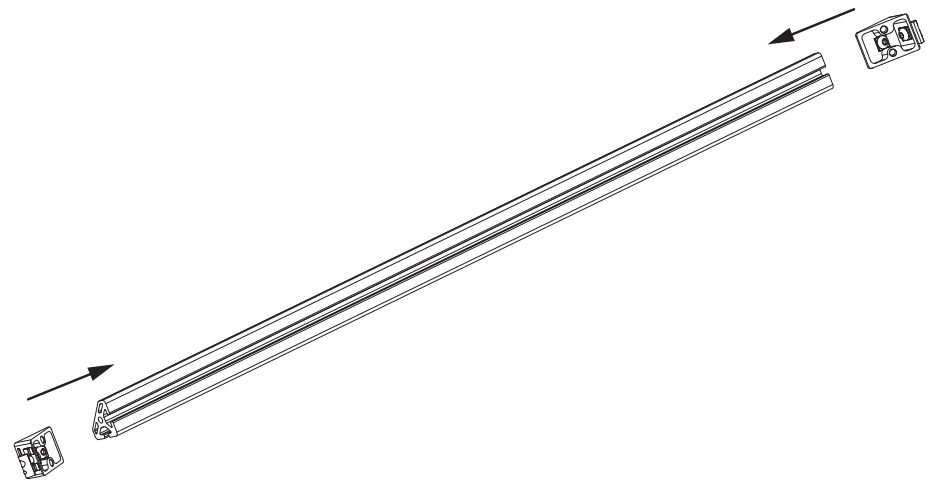
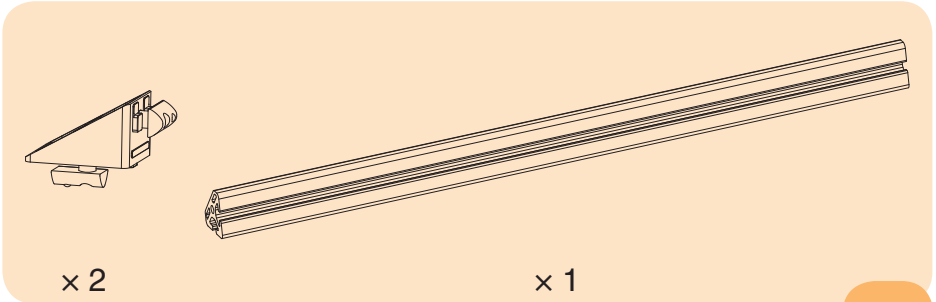
× 2

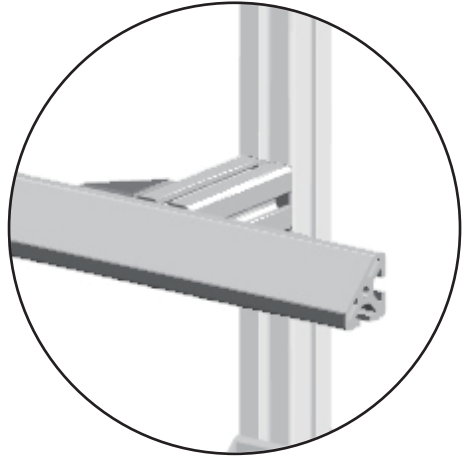




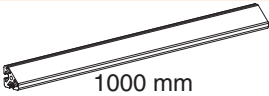
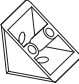





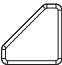
× 2

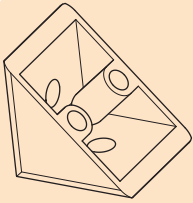
× 2



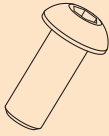




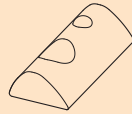
	400 mm A-6007-3040	600 mm A-6007-3060	1000 mm A-6007-3100
 400 mm	1	-	-
 600 mm	-	1	-
 1000 mm	-	-	1
	4	4	4
	8	8	8
	8	8	8
	8	8	8
	2	2	2
	4	4	4
	2	2	2



× 1



× 2

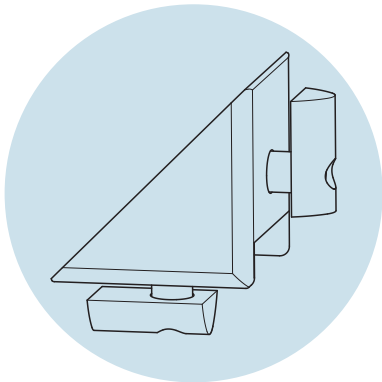
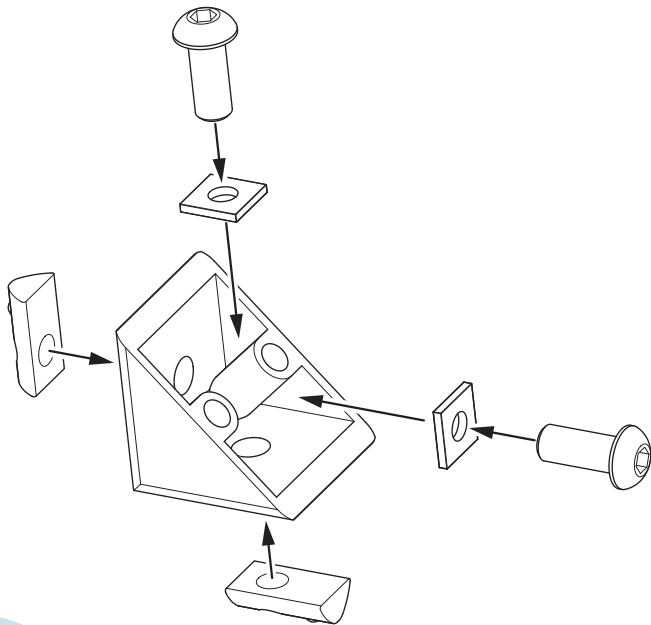


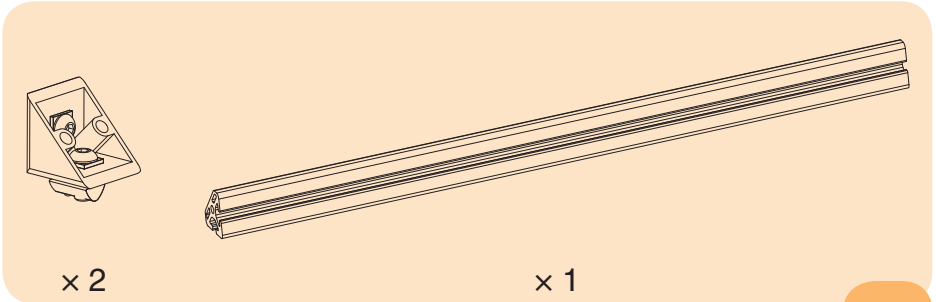
× 2



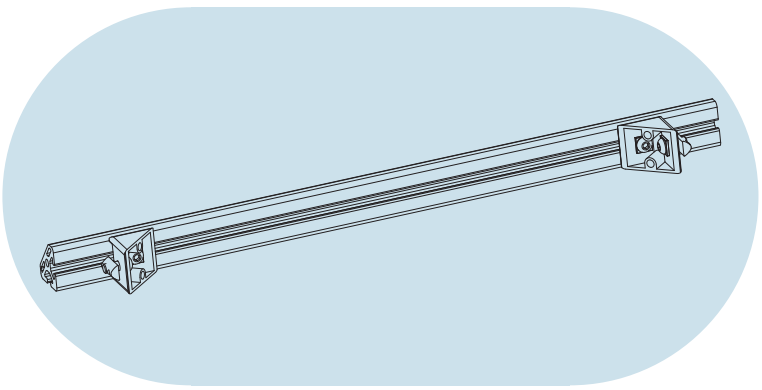
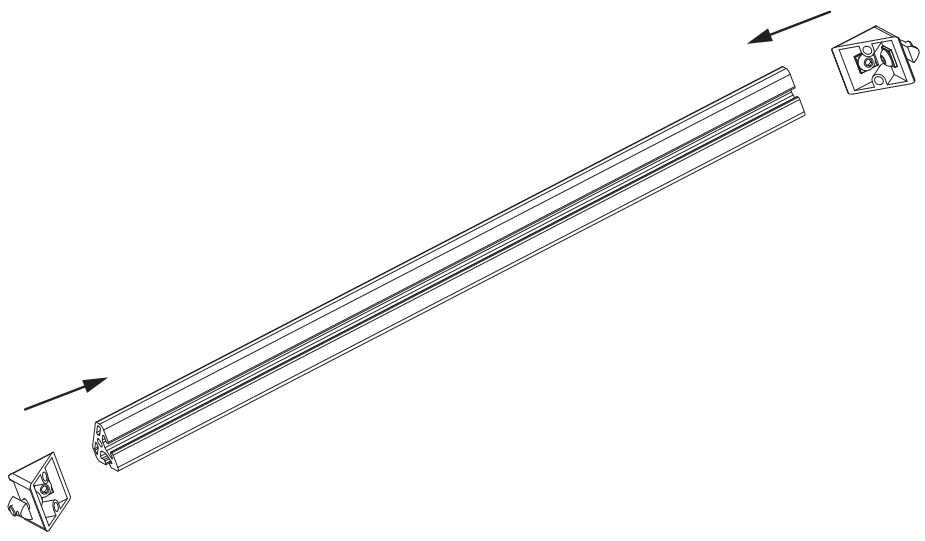
× 2

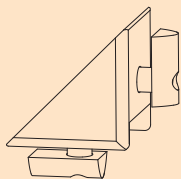
× 4



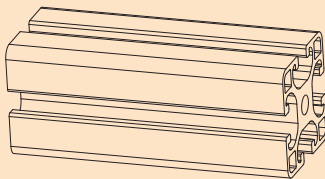


x 1



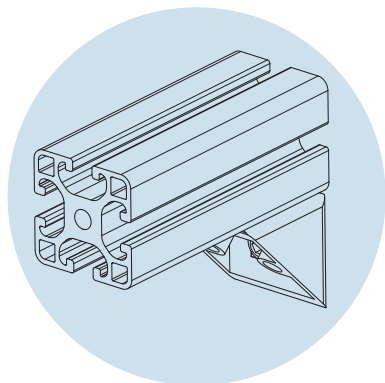
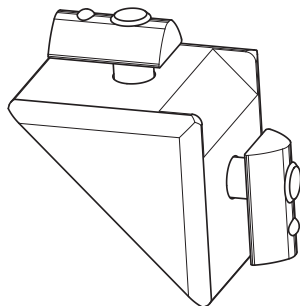
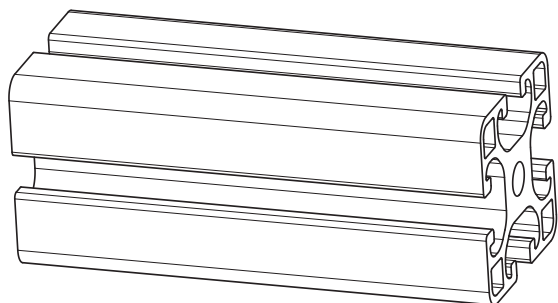


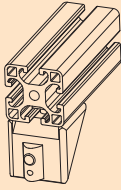
× 1



× 1

× 2



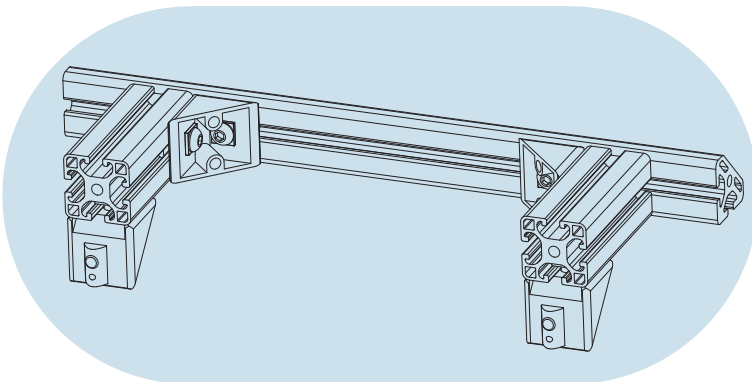
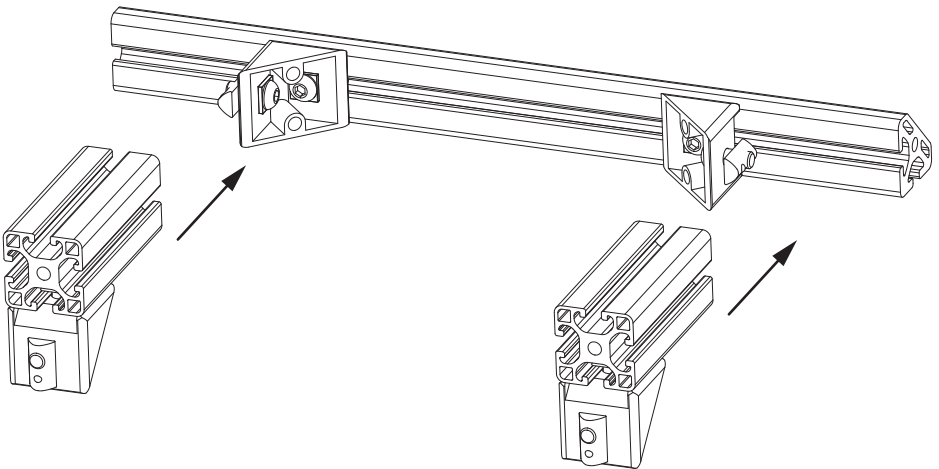


× 2




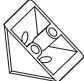


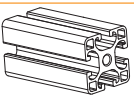

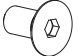

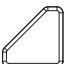


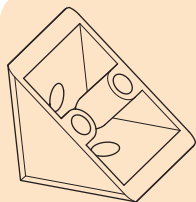
× 1

× 1

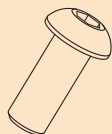




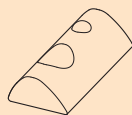
	400 mm A-6007-4040	600 mm A-6007-4060	1000 mm A-6007-4100
 400 mm	1	-	-
 600 mm	-	1	-
 1000 mm	-	-	1
	2	2	2
	4	4	4
	6	6	6
	2	2	2
	2	2	2
	4	4	4
	2	2	2
	2	2	2



× 1



× 2

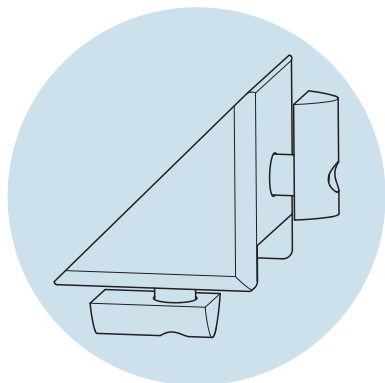
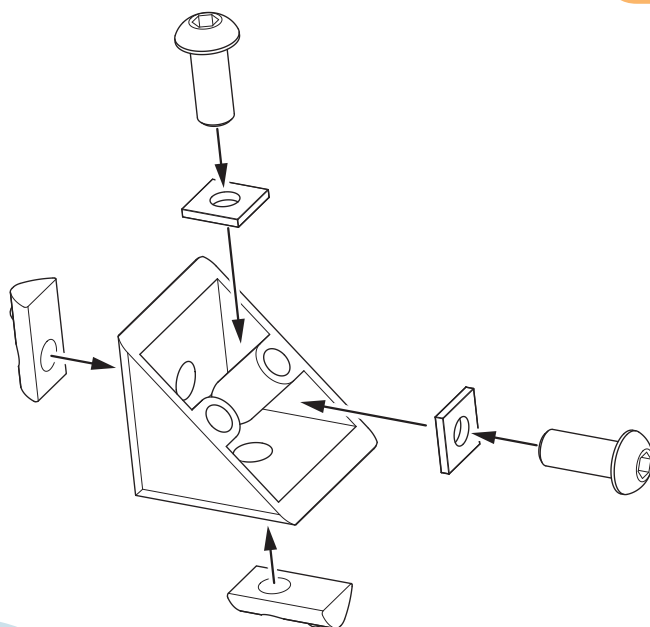


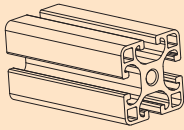
× 2



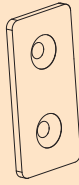
× 2

× 2

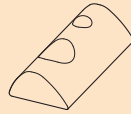




x 1



x 1

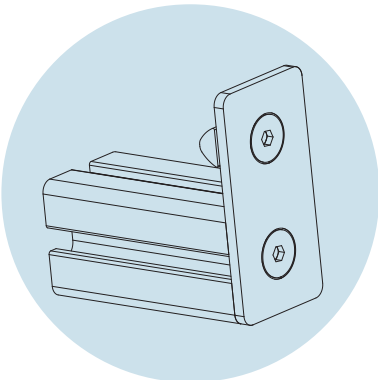
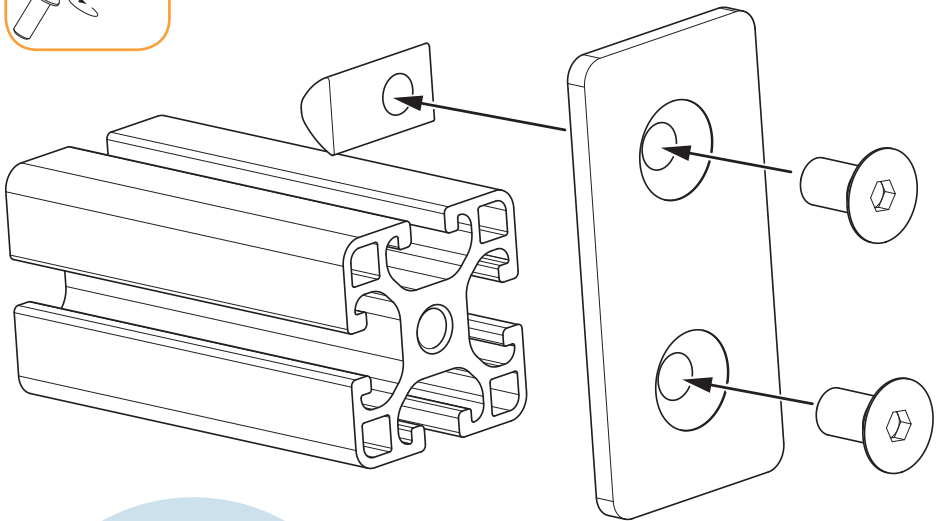


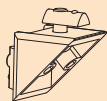
x 1



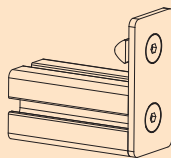
x 2

x 2



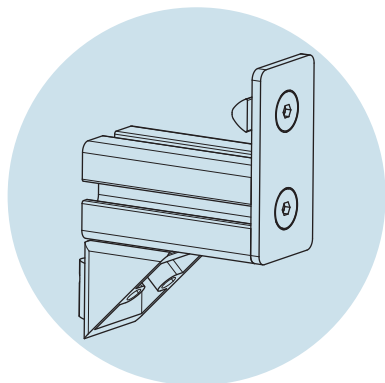
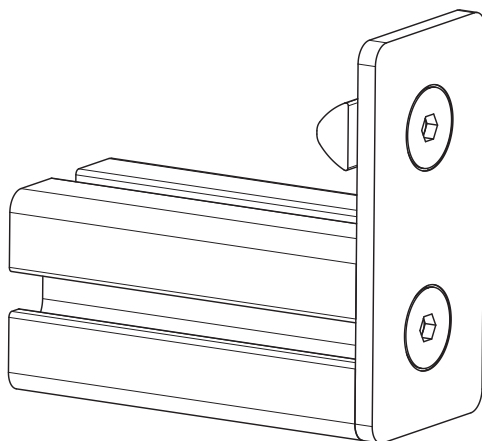
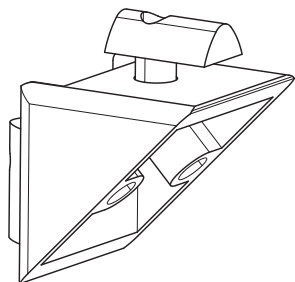


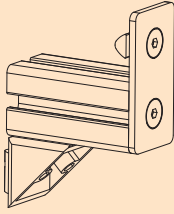
× 2



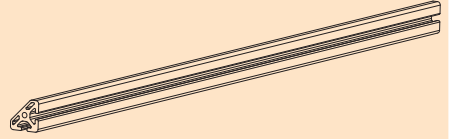
× 2

× 2



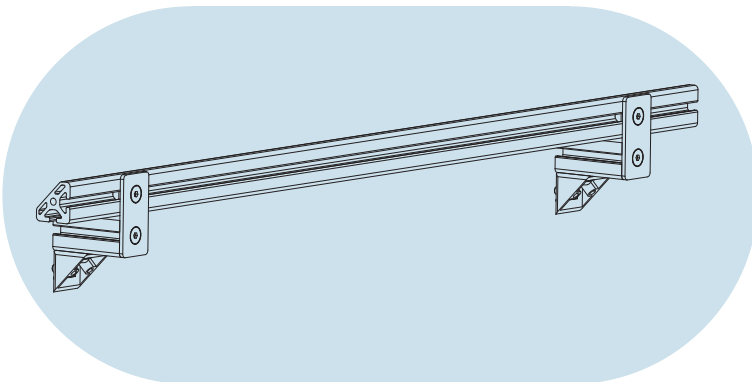
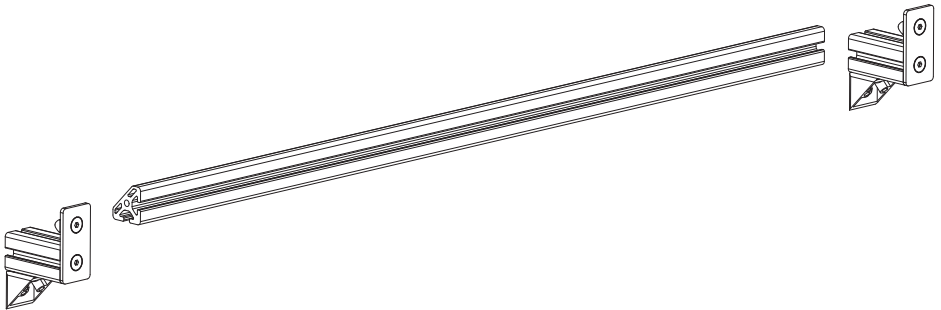


× 2

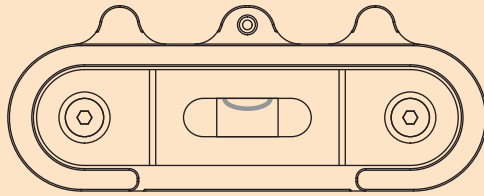


× 1

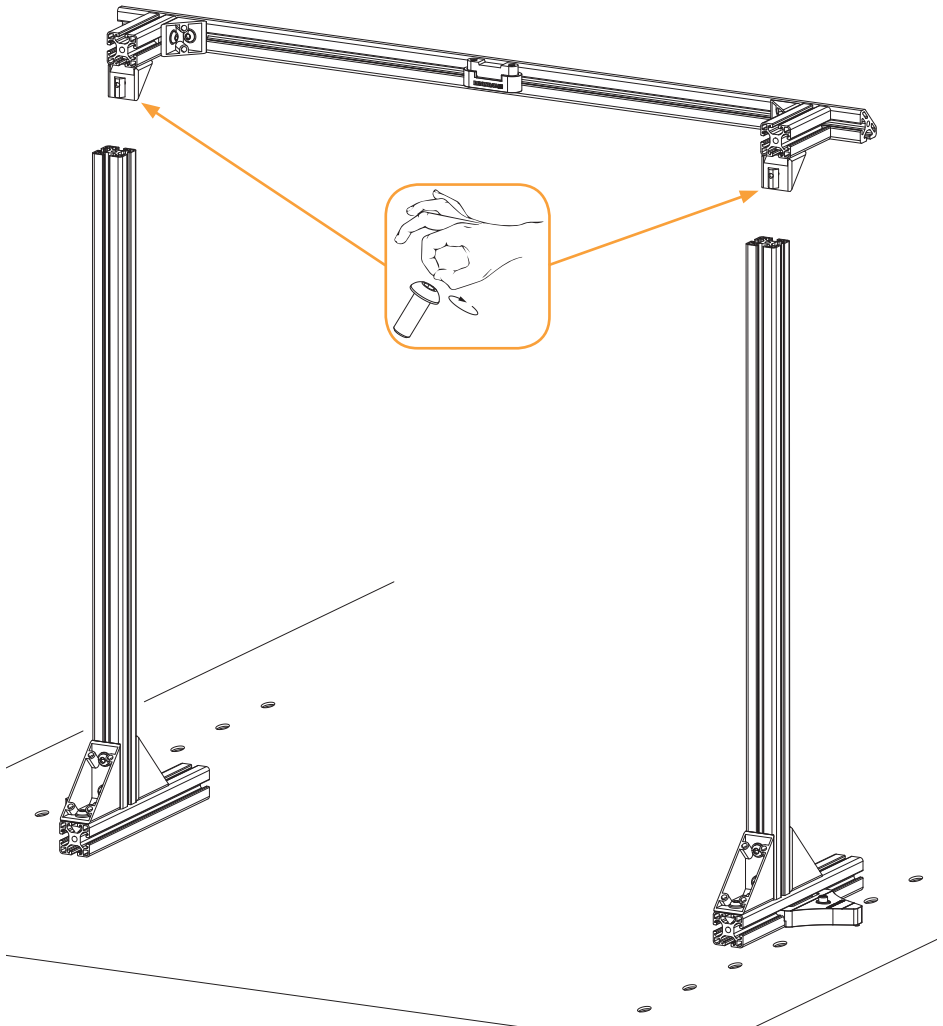
× 1

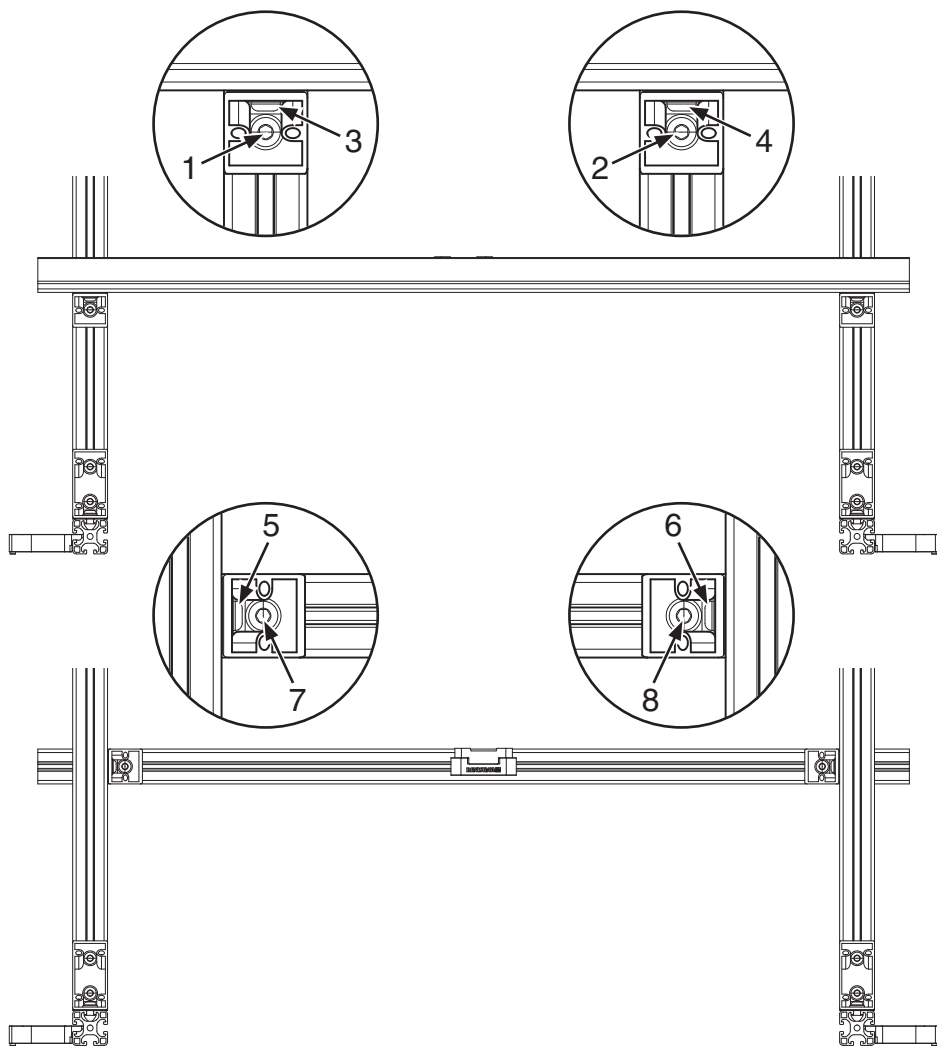
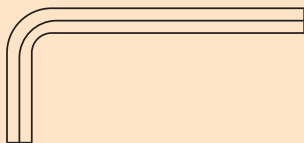


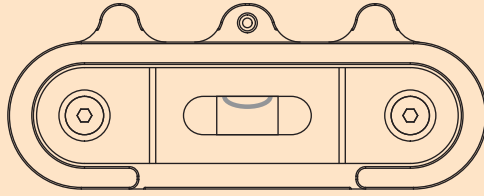




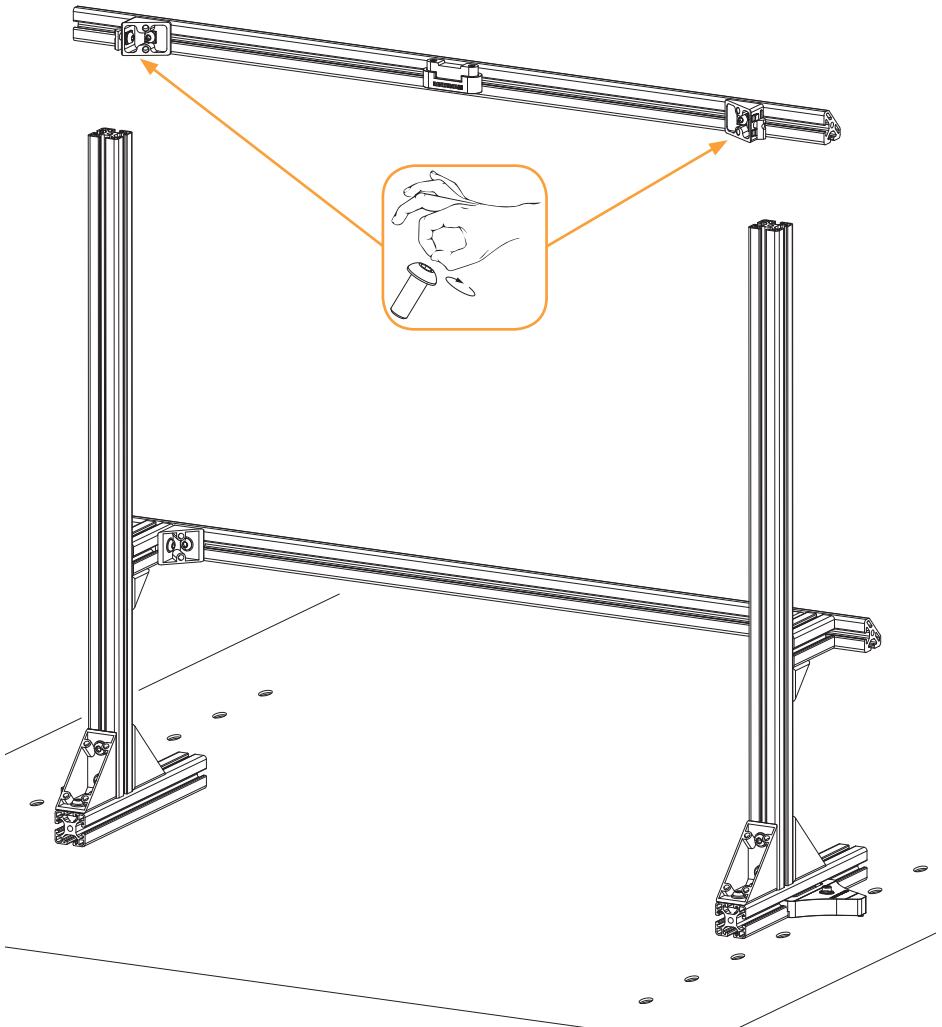
A-6007-0630

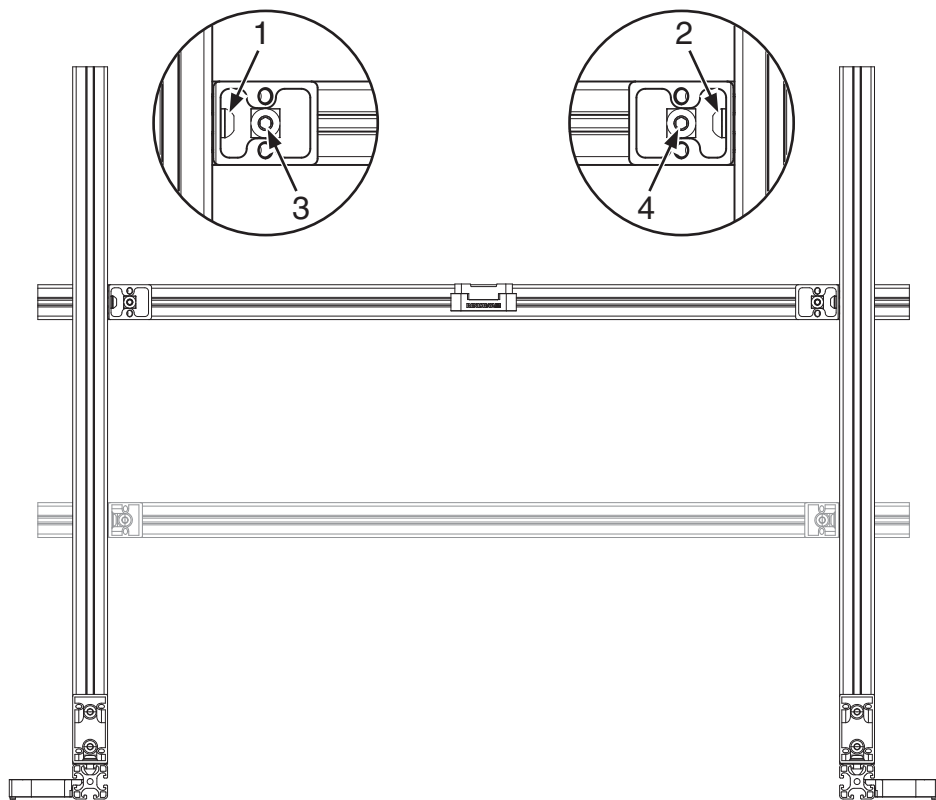
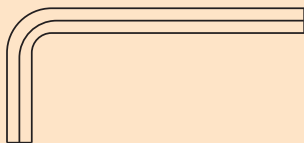


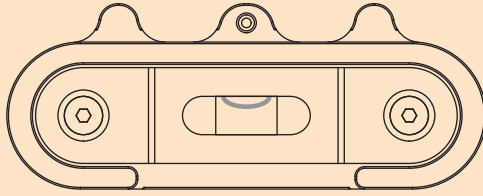




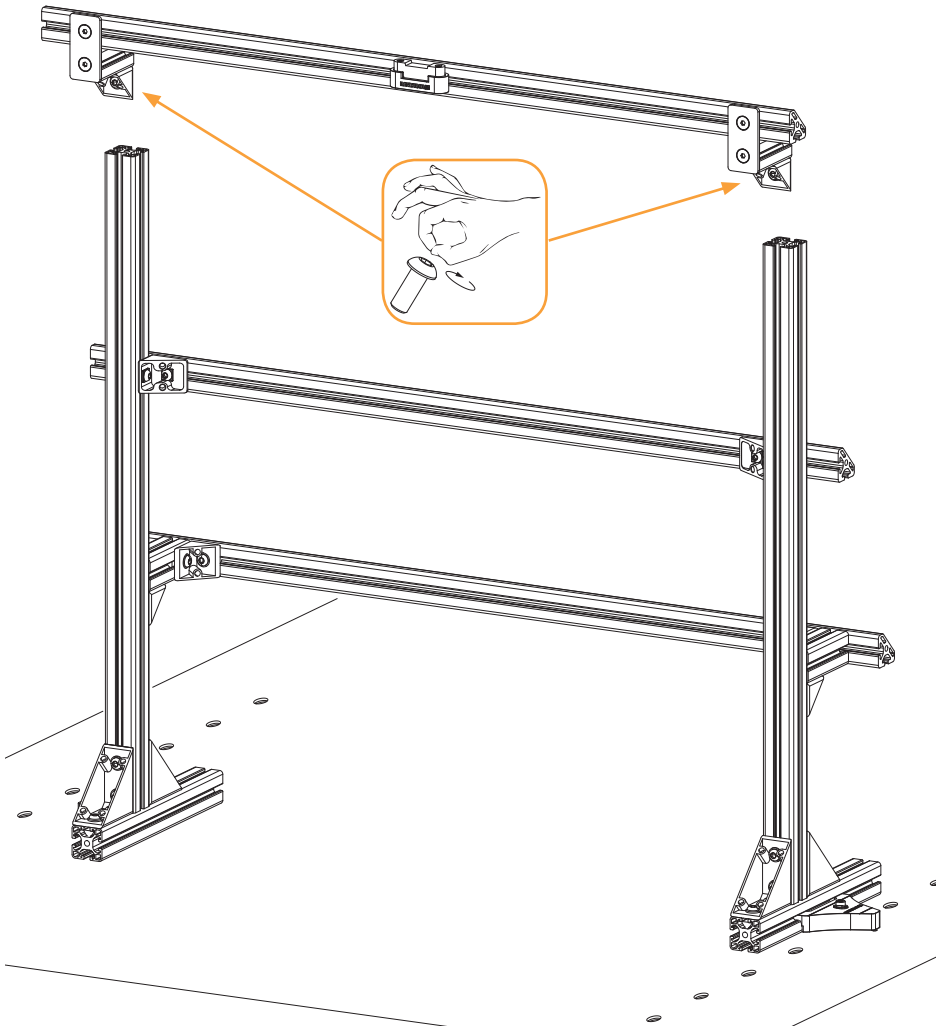
A-6007-0630

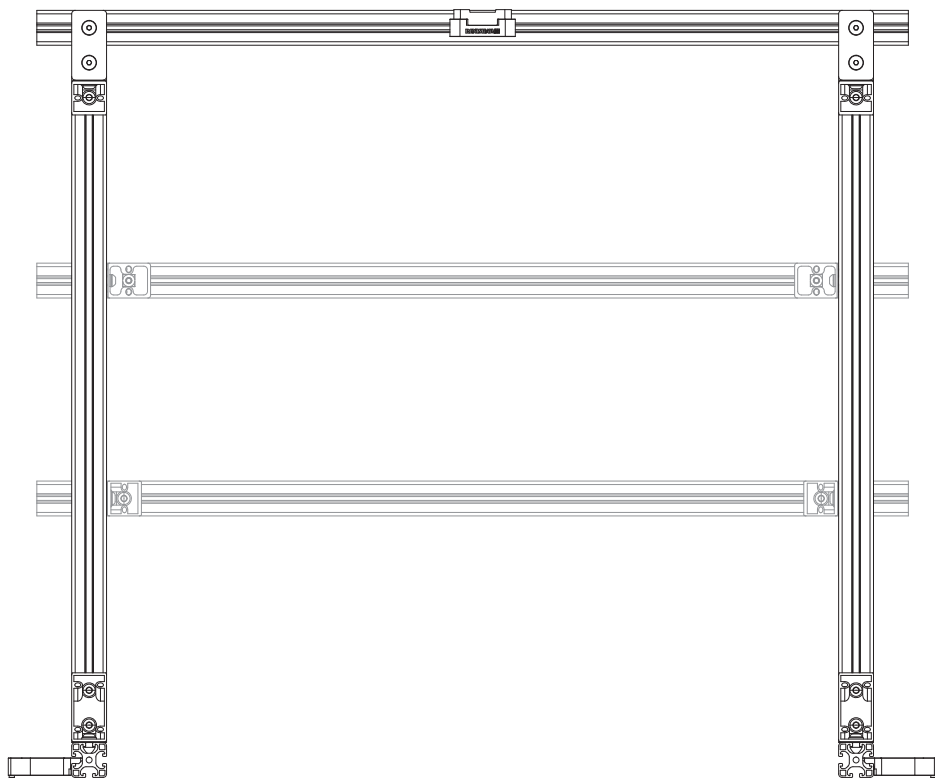
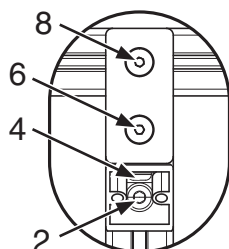
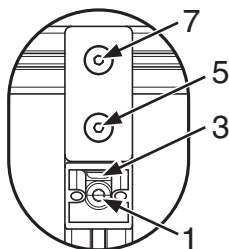
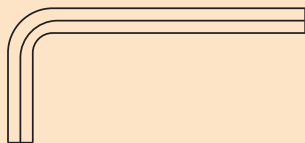




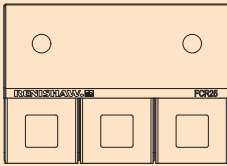


A-6007-0630





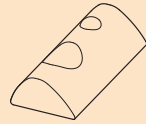
FCR25 - PH10 PLUS system



× 1

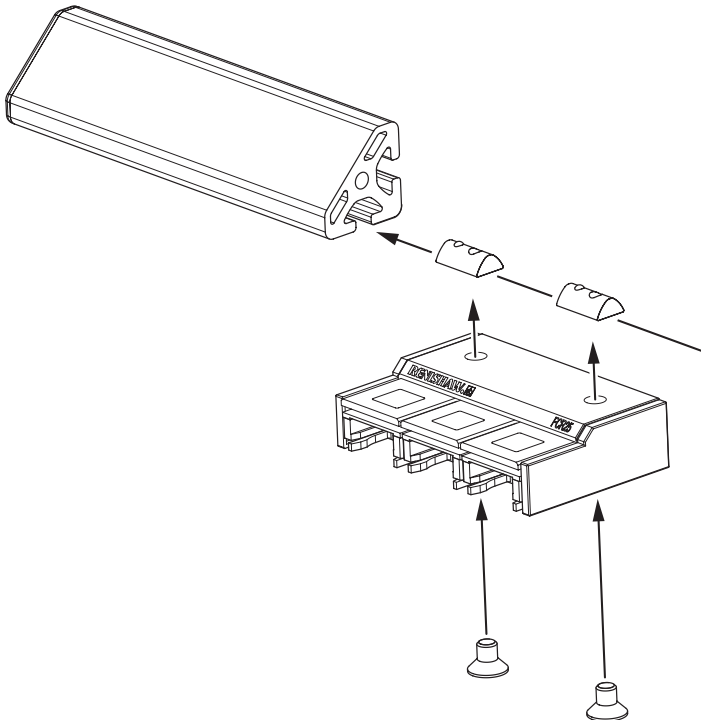


× 2

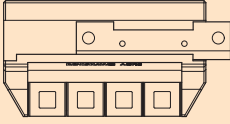


× 2

× 1



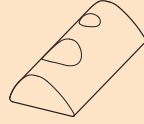
ACR3



× 1

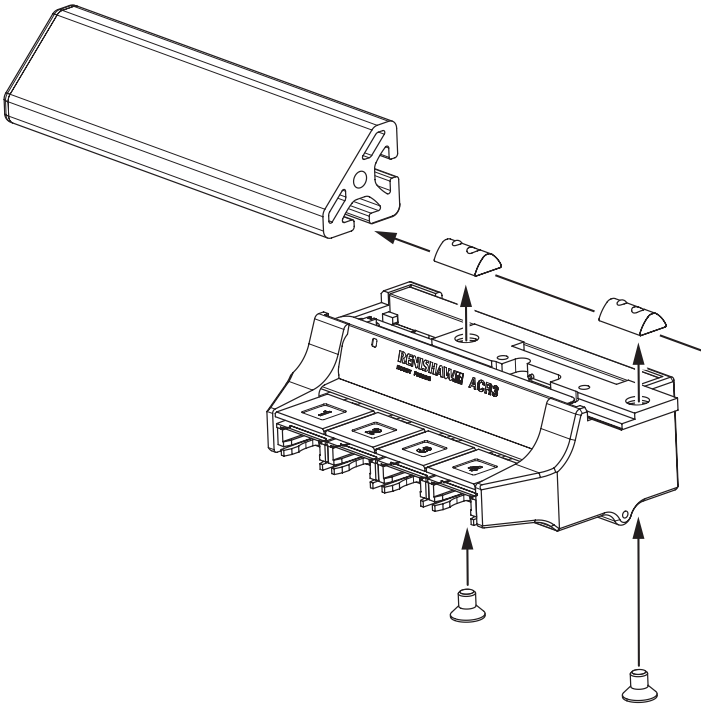


× 2

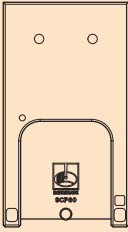


× 2

× 1



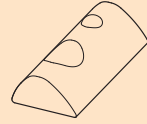
SCP80



× 1

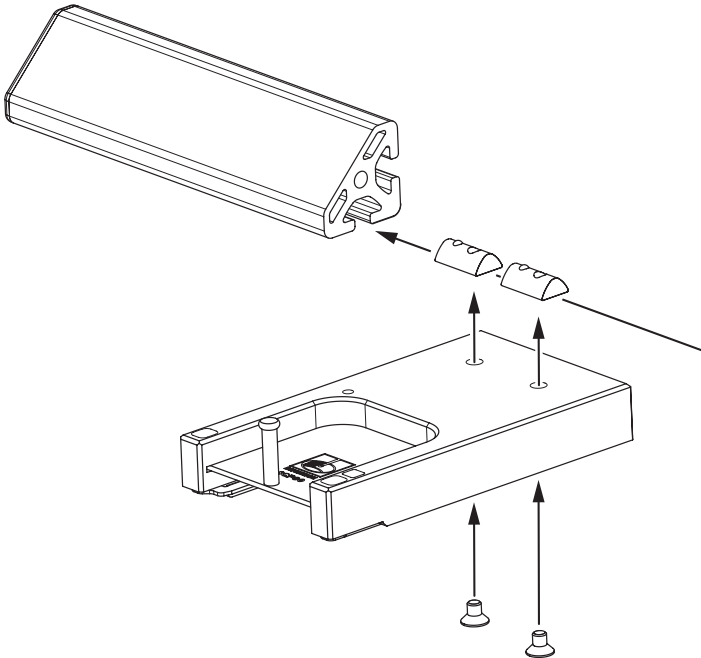


× 2

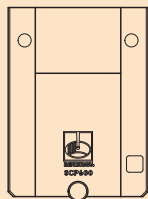


× 2

× 1



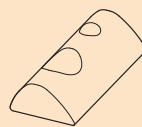
SCP600



× 1

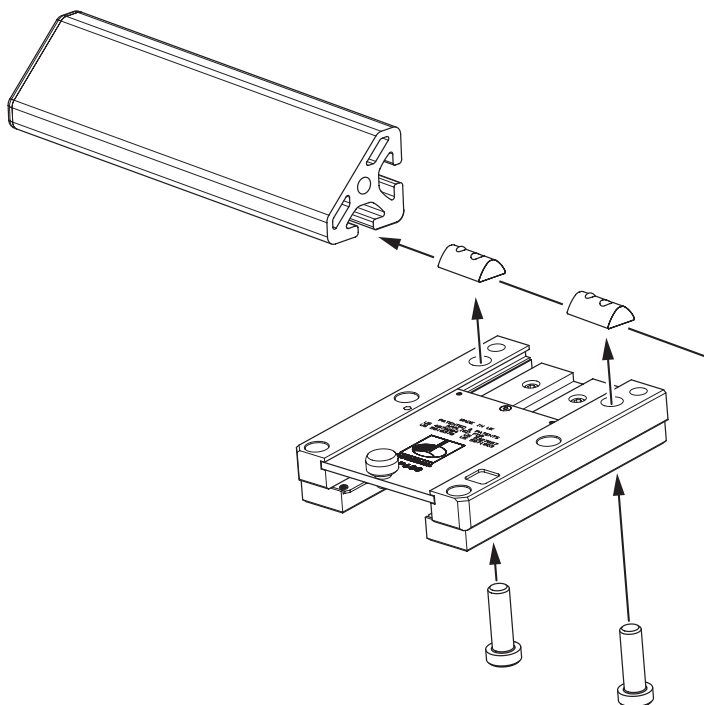


× 2

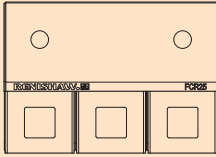


× 2

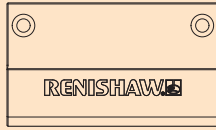
× 1



FCR25 - REVO system



x 1



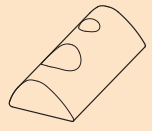
x 1



x 2

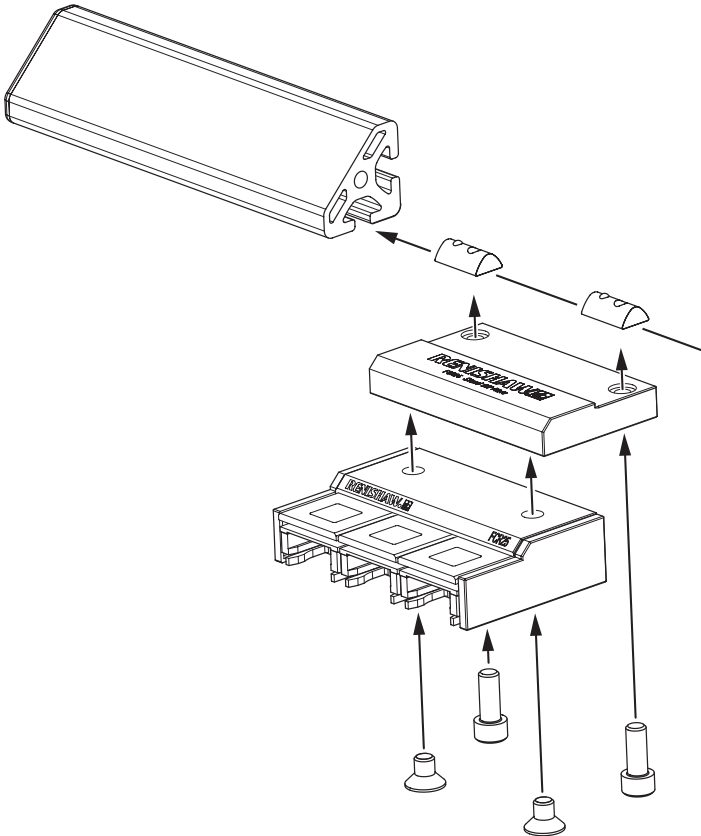


x 2

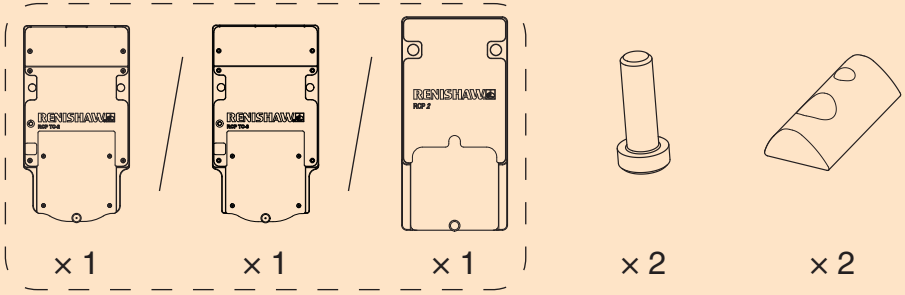


x 2

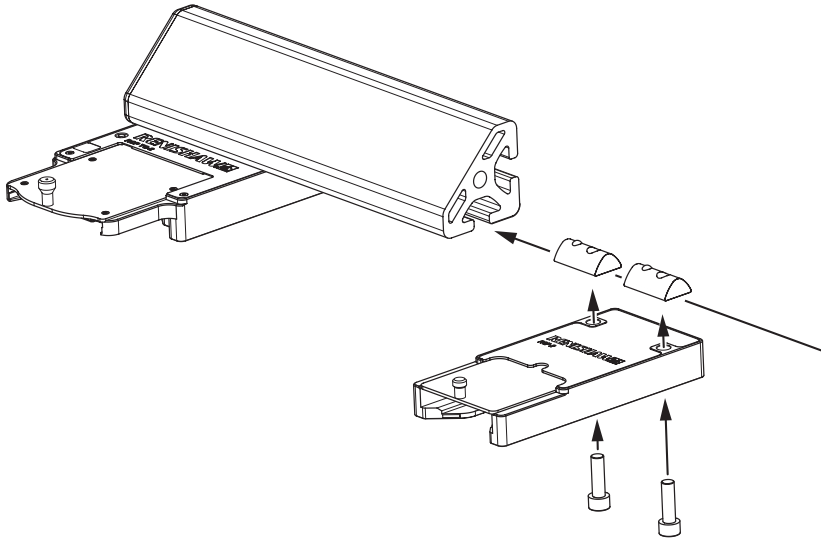
x 1



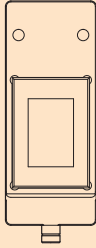
RCP TC-2 / RCP TC-3 / RCP2



x 1



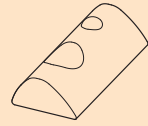
SFA



x 1

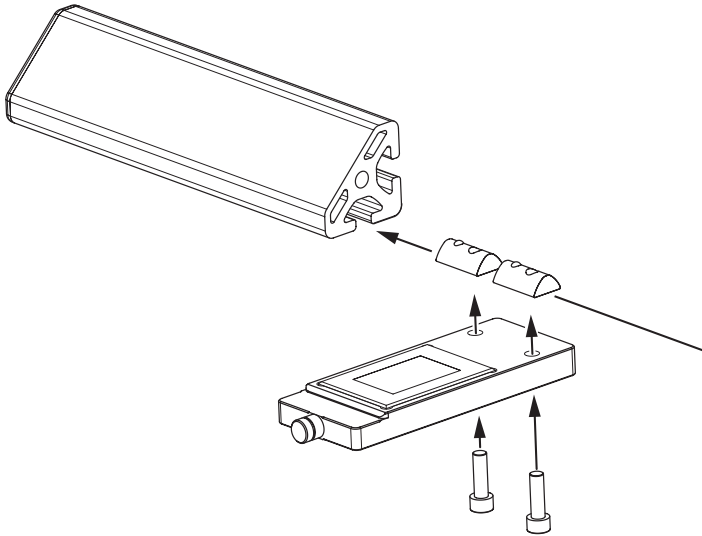


x 2

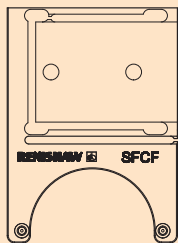


x 2

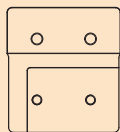
x 1



SFCF



x 1



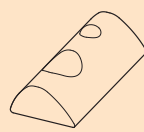
x 1



x 2

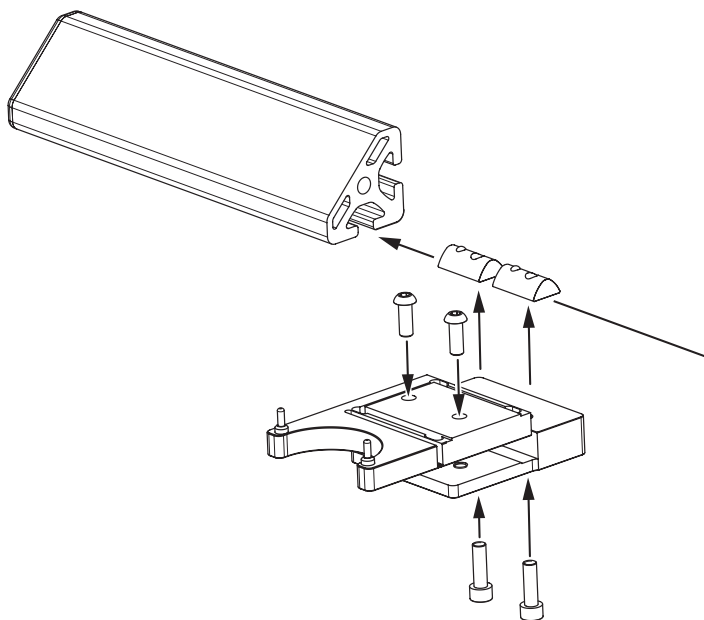


x 2



x 2

x 1



REVO TDA



× 1

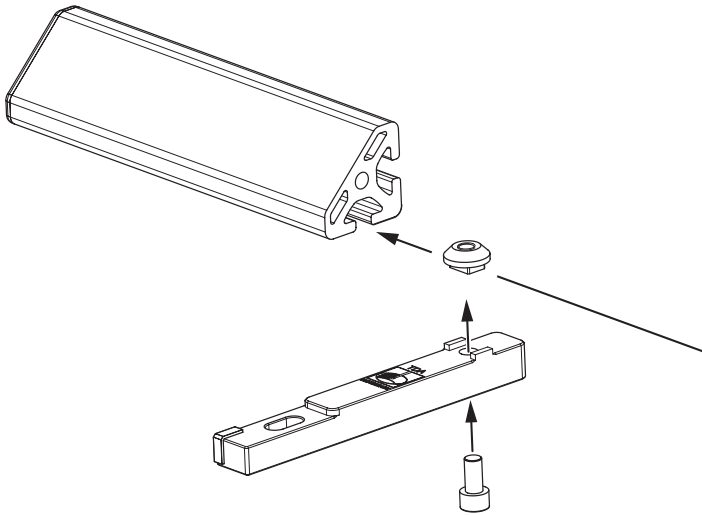


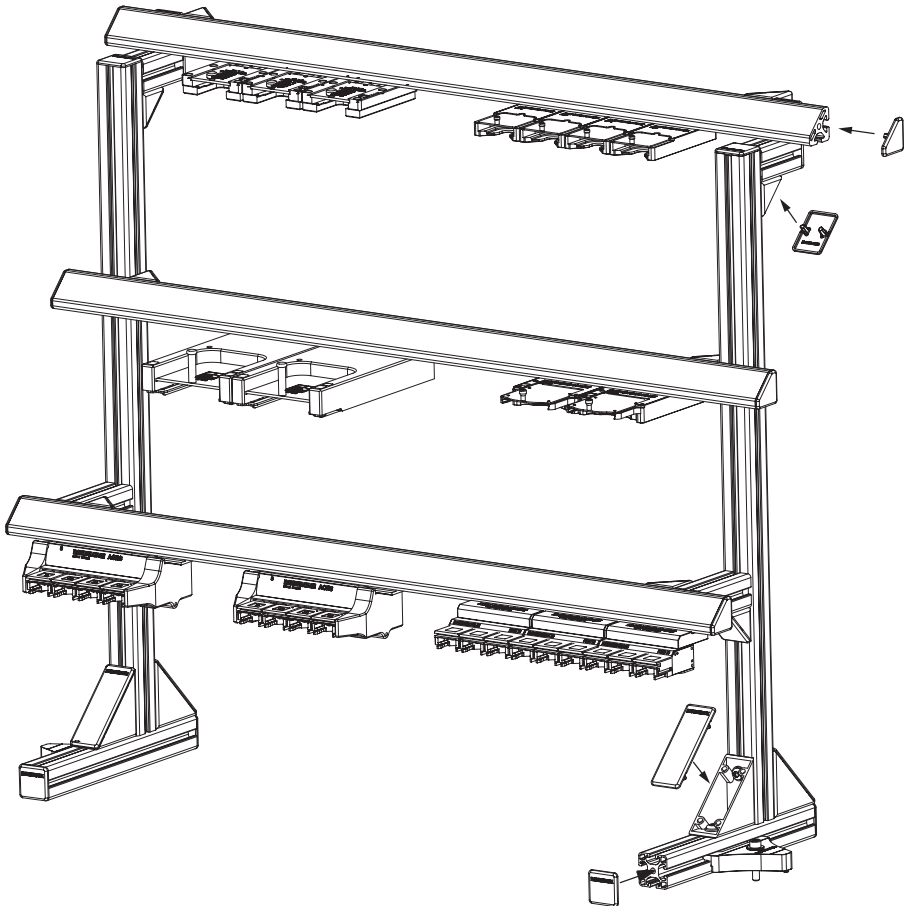
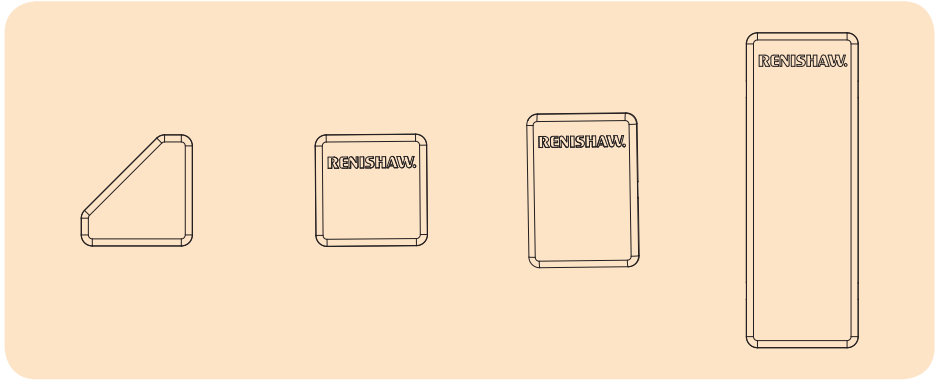
× 1

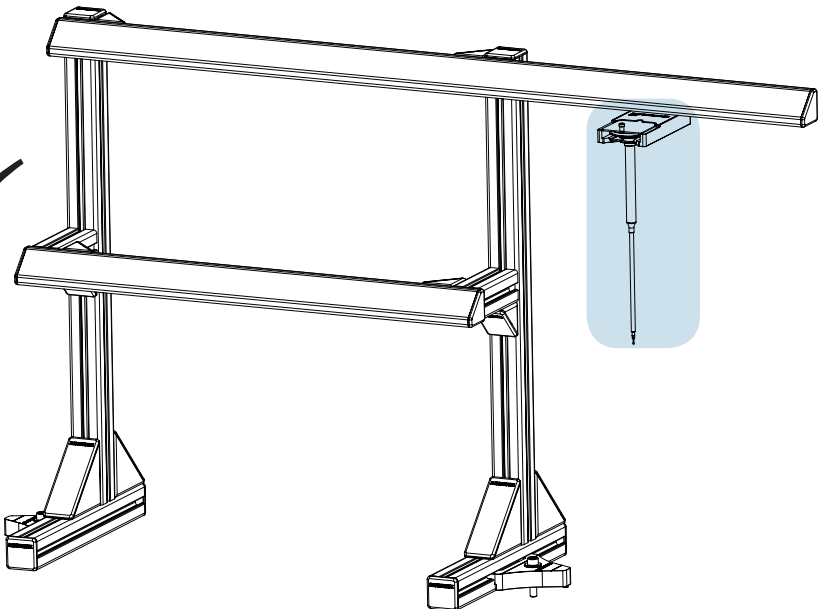
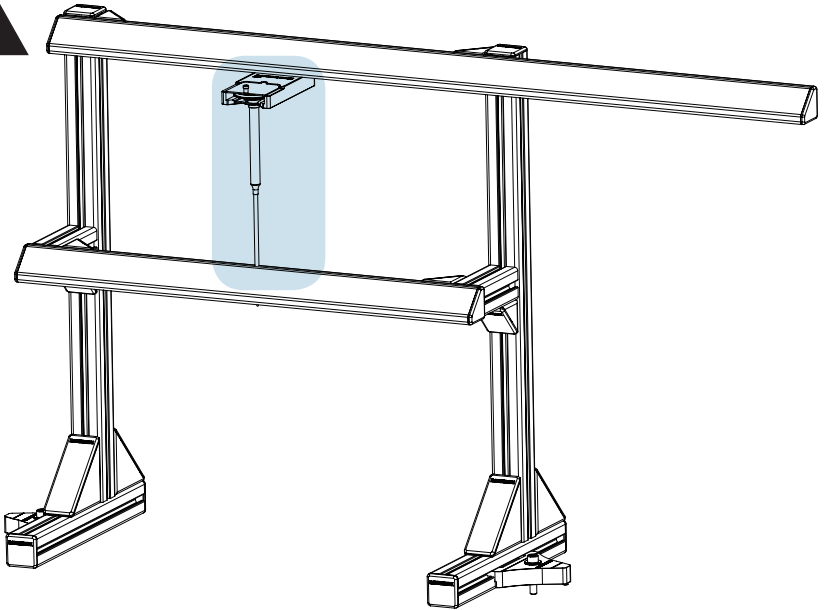


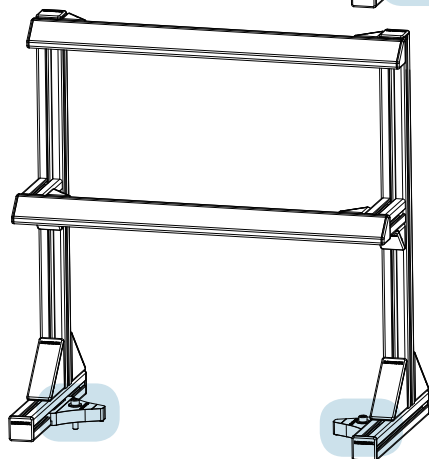
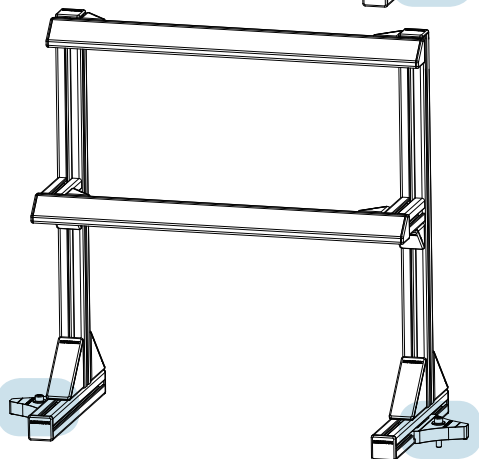
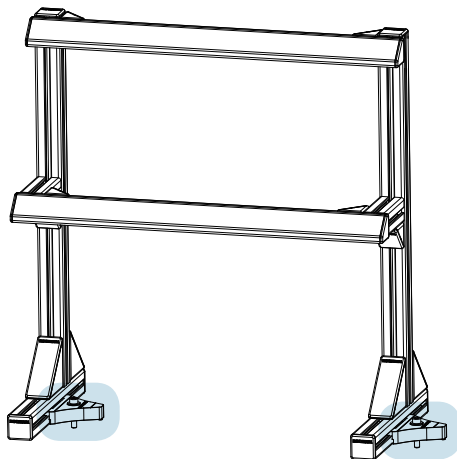
× 1

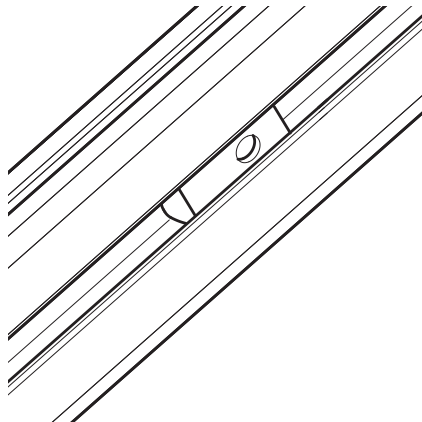
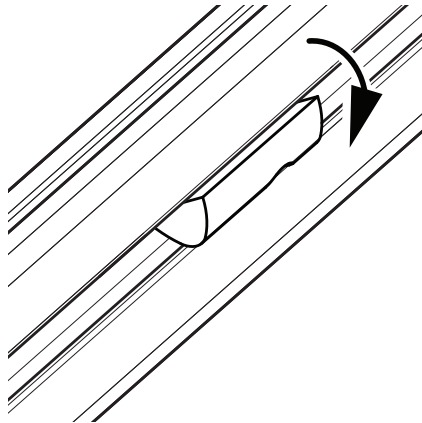
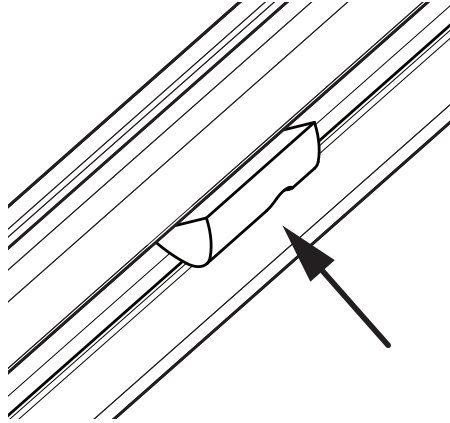
× 1











This page intentionally left blank

This page intentionally left blank

Renishaw plc

New Mills, Wotton-under-Edge,
Gloucestershire, GL12 8JR
United Kingdom

T +44 (0)1453 524524

F +44 (0)1453 524901

E uk@renishaw.com

www.renishaw.com

RENISHAW 
apply innovation™

**For worldwide contact details,
please visit our main website at
www.renishaw.com/contact**



H - 1000 - 5255 - 03